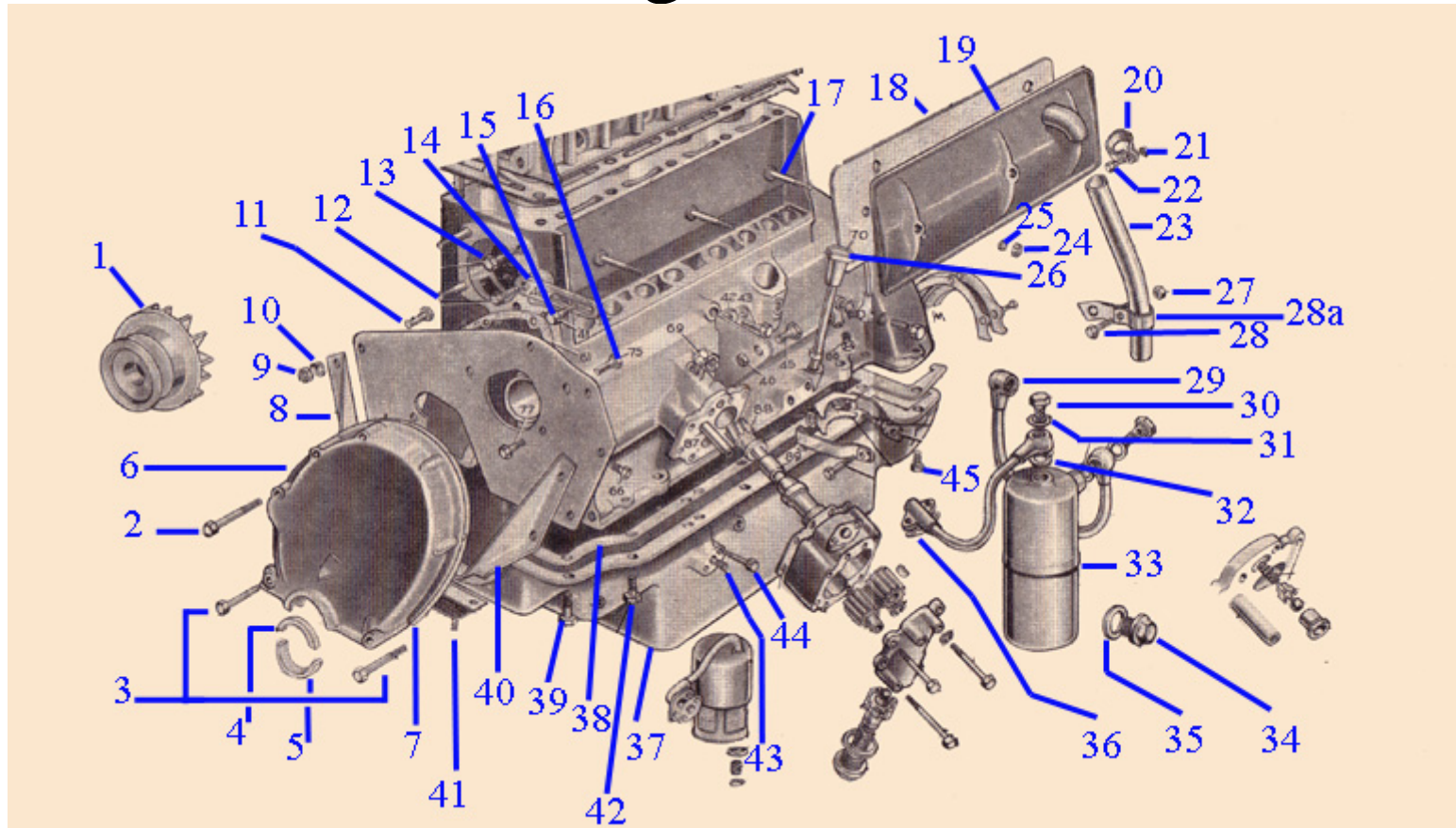


Engine A2



Ref #	Description * = suitable for unleaded head	Original Equipment MG Part Number	NTG Part Number	Moss Europe Part Number	Moss USA Part Number	Amount Required		
						YA	YT	YB
1	Pulley on Dynamo	MG862/75	L167TC or L167TD	433-625 or 433-655	433-625 or 433-655	1	1	1
2	Bolt (short) (case to block)	P151/426	B597B	320-300	320-300	3	3	3

Ref #	Description * = suitable for unleaded head	Original Equipment MG Part Number	NTG Part Number	Moss Europe Part Number	Moss USA Part Number	Amount Required		
						YA	YT	YB
3	Bolt (long) (case to block)	MG862/137	B597A	320-310	320-310	2	2	2
4	Top packing	MG862/134	G904 or G903A 1 piece	291-700 or 120-750 1 piece	291-700 or 120-750 1 piece	1	1	1
5	Packing	MG862/135	G903 or G903A 1 piece	291-100 or 120-750 1 piece	291-100 or 120-750 1 piece	1	1	1
6	Timing Chain Case Assembly	MG862/79	B597	291-600	433-700	1	1	1
	T.D.C. indicator	MG862/443	-	433-590	433-590	1	1	1
	Rivet	MG862/437	-	-	-	2	2	2
7	Joint for case	MG862/436	G911	291-600	291-600	1	1	1
8	Bracket for plate	MG900/105	B002	-	-	1	1	1
9	Nut	X151/16	F105	-	-	4	4	4
10	Spring washer	X151/15	-	-	-	4	4	4
11	Bolt (plate to block)	MG862/323	F503BS	-	-	2	2	2
12	Stud for water pump (long)	P151/501	B594A	328-750	328-750	1	1	1
	Stud for water pump (short)	MG862/110	B594B			1	1	1
13	Bolt for water pump (long)	P151/151	B244B	320-290	320-625	1	1	1
	Bolt for water pump (short)	X151/30	B244			1	1	1
14	Adjusting link for dynamo	MG862/229	B595	433-650	433-650	1	1	1
15	Bolt for adjusting link ceased 14022	X151/19	-	320-260	320-260	1	1	1
16	Bolt (plate to case)	MG679/131	B244F	320-260	320-260	2	2	2

Ref #	Description * = suitable for unleaded head	Original Equipment MG Part Number	NTG Part Number	Moss Europe Part Number	Moss USA Part Number	Amount Required		
						YA	YT	YB
17	Stud for tappet inspection cover	MG862/125	B179A	328-710	328-710 or 433-618 set	3	3	3
18	Joint for tappet inspection cover	MG862/368	G854	290-600	290-600	1	1	1
19	Tappet inspection cover	MG900/128	B148C	-	224-240 (Alum. repl)	1	1	1
20	Clip for breather pipe (complete with nut and bolt)	MG679/28	B590A	433-800	433-800	1	1	1
21	Bolt for breather clip	X679/41	B455BS	320-200	320-200	1	1	1
22	Nut for breather clip bolt	X151/5		AUD8104	311-050	1	1	1
23	Breather pipe	MG917/101	B590	451-160	451-160	1	1	1
24	Nut for tappet inspection cover	MG862/127	B179	328-710	433-340	3	3	3
25	Washer for nut	MG862/128	B179B	WF509	324-620	3	3	3
26	Dipstick	MG900/10	B591	433-830 Early Y	433-830 Early Y	1	-	-
				433-820 Later Y/YT and YB	433-820 Later Y/YT and YB	-	1	1
27	Nut for breather pipe (bottom) clip	X151/5	F453BS	AJD8104	311-050	1	1	1
28	Bolt for breather pipe (bottom)	MG827/211		AJD6155Z	320-180	1	1	1

Ref #	Description * = suitable for unleaded head	Original Equipment MG Part Number	NTG Part Number	Moss Europe Part Number	Moss USA Part Number	Amount Required		
						YA	YT	YB
28a	Clip for breather pipe (bottom)	MG862/124	B590B	433-620	433-620	1	1	1
29	Oil pipe assembly (filter to block)	MG862/88	B206	435-460	435-460	1	1	1
30	Bolt for banjo	MG706/243	B024C	435-480	435-480	3	3	3
31	Washer (large)	MG706/244	G535	324-968 set	324-968 set	3	3	3
32	Washer (small)	MG706/245	G536			3	3	3
33	Oil filter Now one piece throw away filter is replaced by modern look a likes	MG862/39	B021	435-360	435-360	1	1	1
			B024	435-385	435-385			
34	Drain plug	MG862/233	B326	328-120	328-120	1	1	1
35	Washer	31494	B326A	6K4318	324-800	1	1	1
36	Oil pipe assembly (pump to filter)	MG862/87	B207 later B208	435-450	435-450	1	1	see own list
37	Oil sump (with baffle and drain plug)	MG917/14	B598	-	-	1	1	1
	Baffle plate	-	B598A	-	-	1	1	1
38	Joint for sump to block	MG862/236	G003	AAA5659X	291-000	1	1	1
39	Bolt (front) (for sump)	MG862/237	B244A	320-265	320-265	2	2	2
40	Bracket for plate	MG900/105	B002	-	-	1	1	1
41	Front mounting rubber	S118/14	R063	411-010	411-010	1	1	1
42	Bolt (short) (for sump)	X679/51	B244	320-270	320-270	10	10	10
43	Plug for oil hole	P151/497	-	-	-	1	1	1

Ref #	Description * = suitable for unleaded head	Original Equipment MG Part Number	NTG Part Number	Moss Europe Part Number	Moss USA Part Number	Amount Required		
						YA	YT	YB
44	Bolt	MG862/250	B244C short	320-150	320-150	2	2	-
			B244D long			-	-	2
45	Bolt (long) (for sump)	X679/28	B244B	320-290	320-615	2	2	2
46	Joint (plate to block)	MG862/130	G912	291/800	291/800	1	1	1