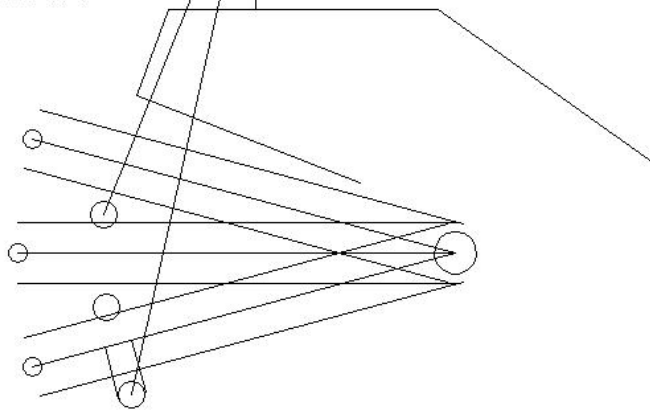


Front Shock Conversion 275mm compressed - 390mm extended

Monroe 14-0315
275-425mm



70mm long mounting nuts



Rear Shock Conversion

