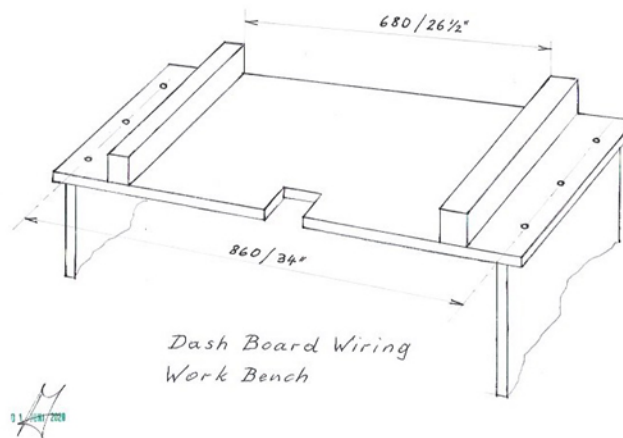
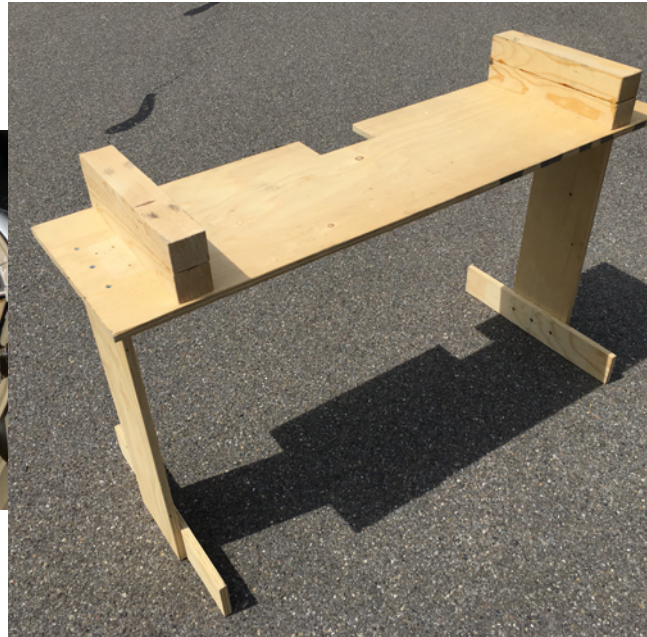
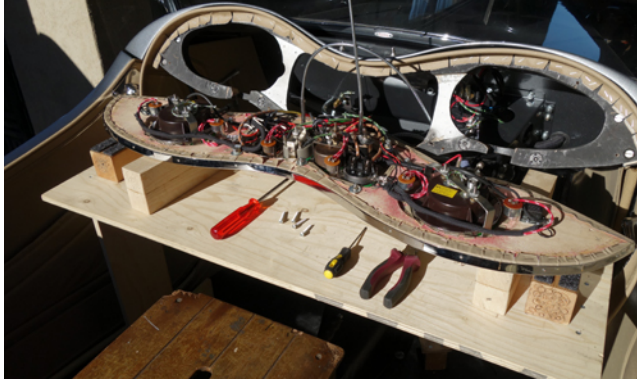


Dashboard wiring table

This double-decker work bench enables you to have all the necessary tools at hand without interfering with the actual dash wiring job. [Click here to find out more ...](#)

The bench had been designed to assist work on a YT with the steering wheel / steering column not in place yet. For working on cars with the steering wheel in place the height of the legs may need to be changed.

The 4x4 cut-out in the middle of the table top serves to make room for the gear lever (and a Shorrock boost gauge I have on my car).



Material List, Dashboard-Wiring Work Bench

Plywood, 12mm, approx. (1/2")

1 only top: 920x300mm, approx. (36x12")

2 only legs: 500x150mm, approx. (20x6")

2 only feet: 380x80mm, approx. (15x3")

2 only wood blocks: 75x50x300mm, approx. (3x2x12")

Anton Pillar