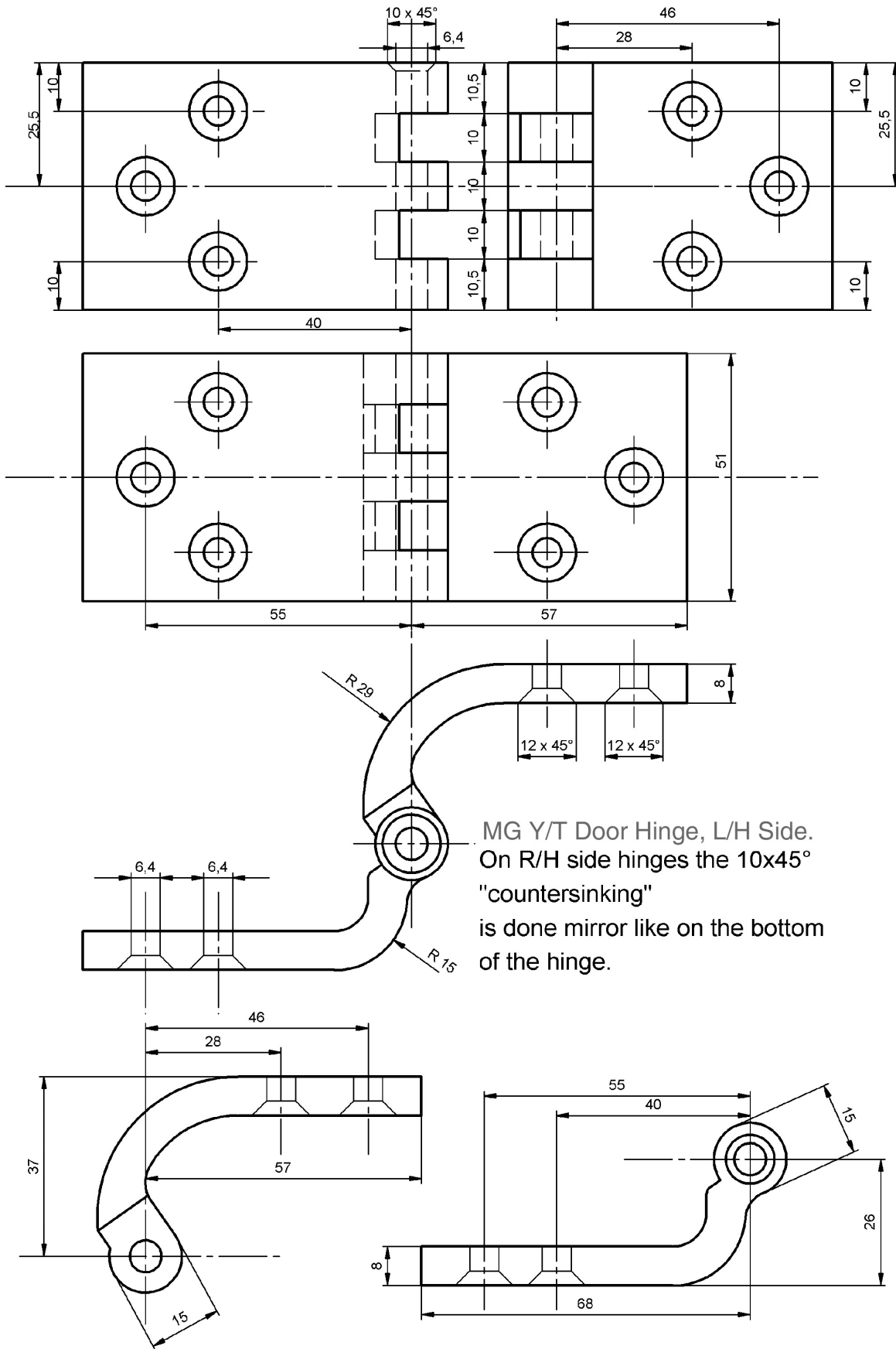


# MG Y/T Door hinges



**NB – This drawing does not include the chamfer that needs to be cut onto the angled inner edge of the hinge to match the curved sides of the car's body because this would have necessitated 4 drawings. One can easily check these angles with the old samples.  
Drawing by Anton Meyer – Switzerland.**