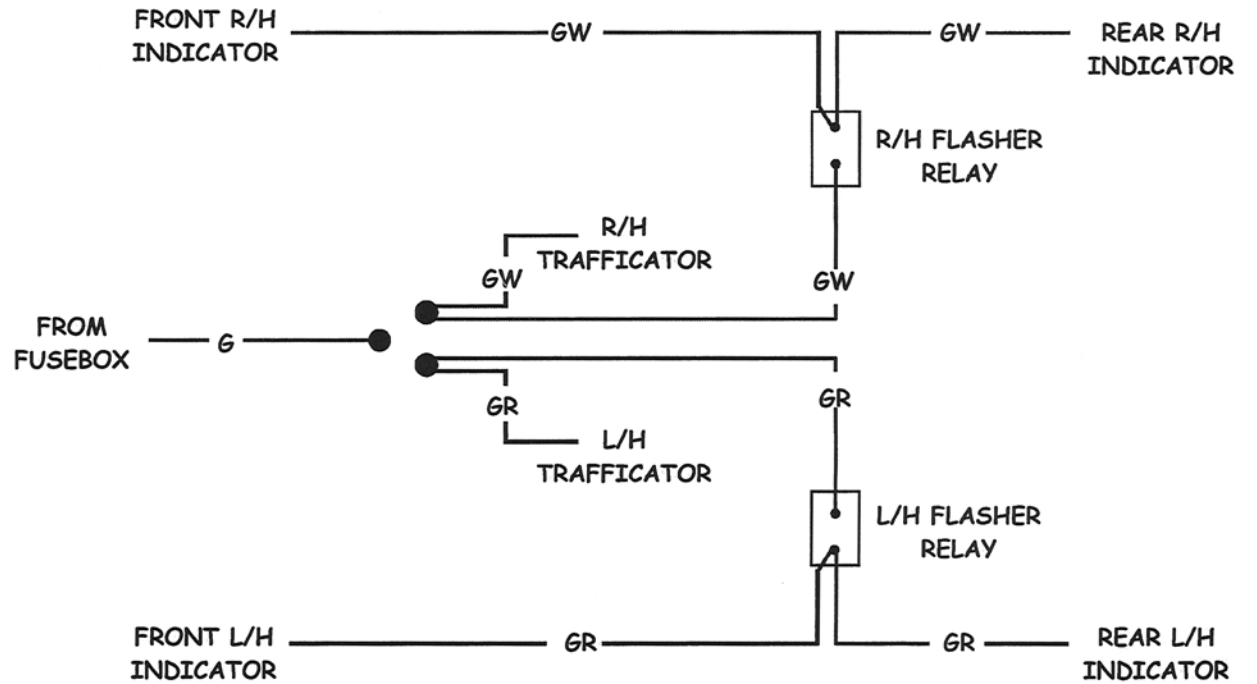


Notes:

In all modifications we use the British Standard colour codings where ever possible. These are shown on the diagram opposite. Where we have needed to change these colours, i.e. to suit a pre-war colour chart, they are amended by hand.



Standard Cable Colour Abbreviations Used as follows:

B = Black	N = Brown	R = Red	W = White
G = Green	O = Orange	S = Slate	Y = Yellow
K = Pink	P = Purple	U = Blue	LG = Lt Green

Wiring for EXISTING TRAFFICATORS WITH MODERN FLASHERS

*BARROW M29 SPECIAL*